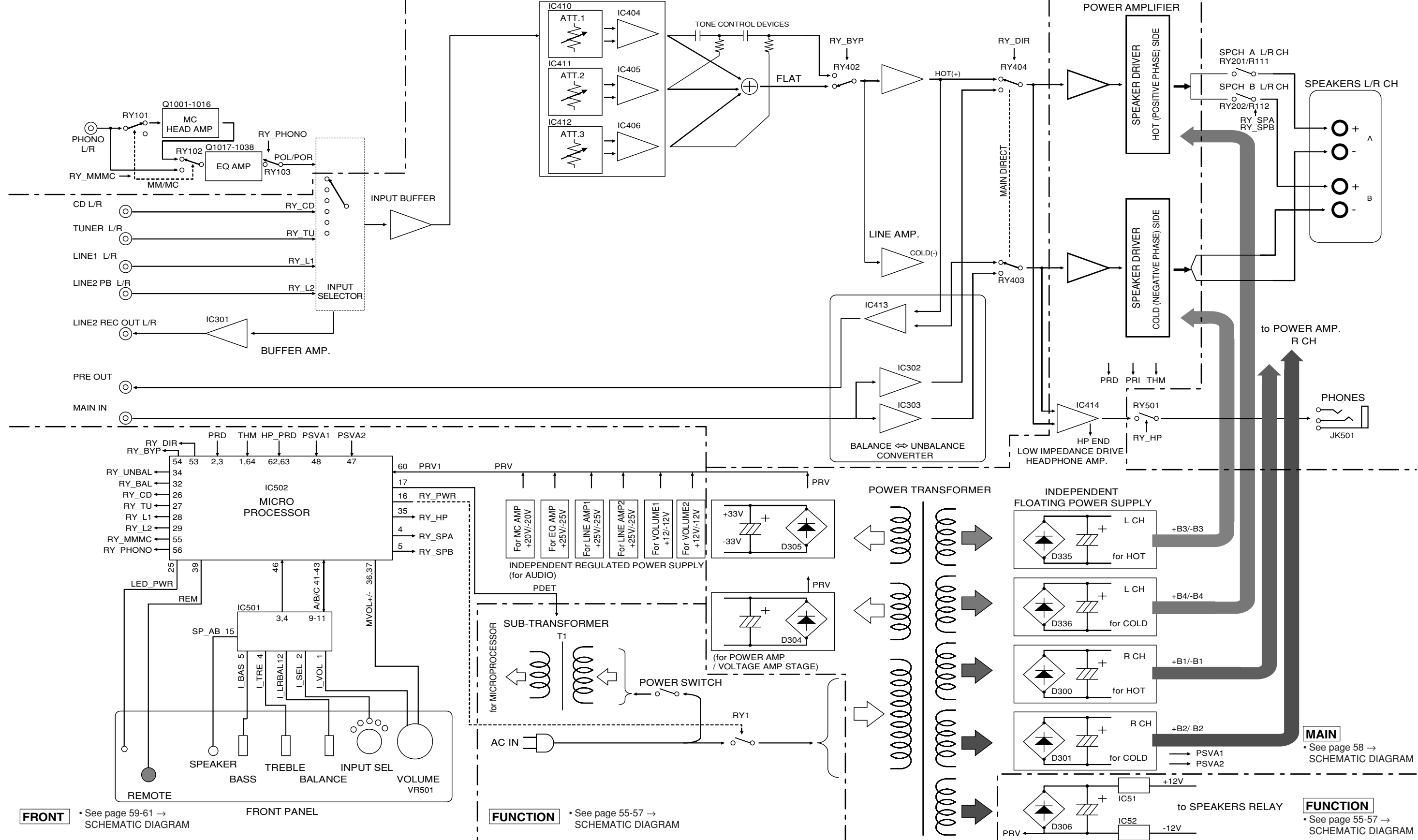


# BLOCK DIAGRAM

**FRONT** • See page 59-61 → SCHEMATIC DIAGRAM

**FUNCTION** • See page 55-57 → SCHEMATIC DIAGRAM

**FRONT** • See page 59-61 → SCHEMATIC DIAGRAM



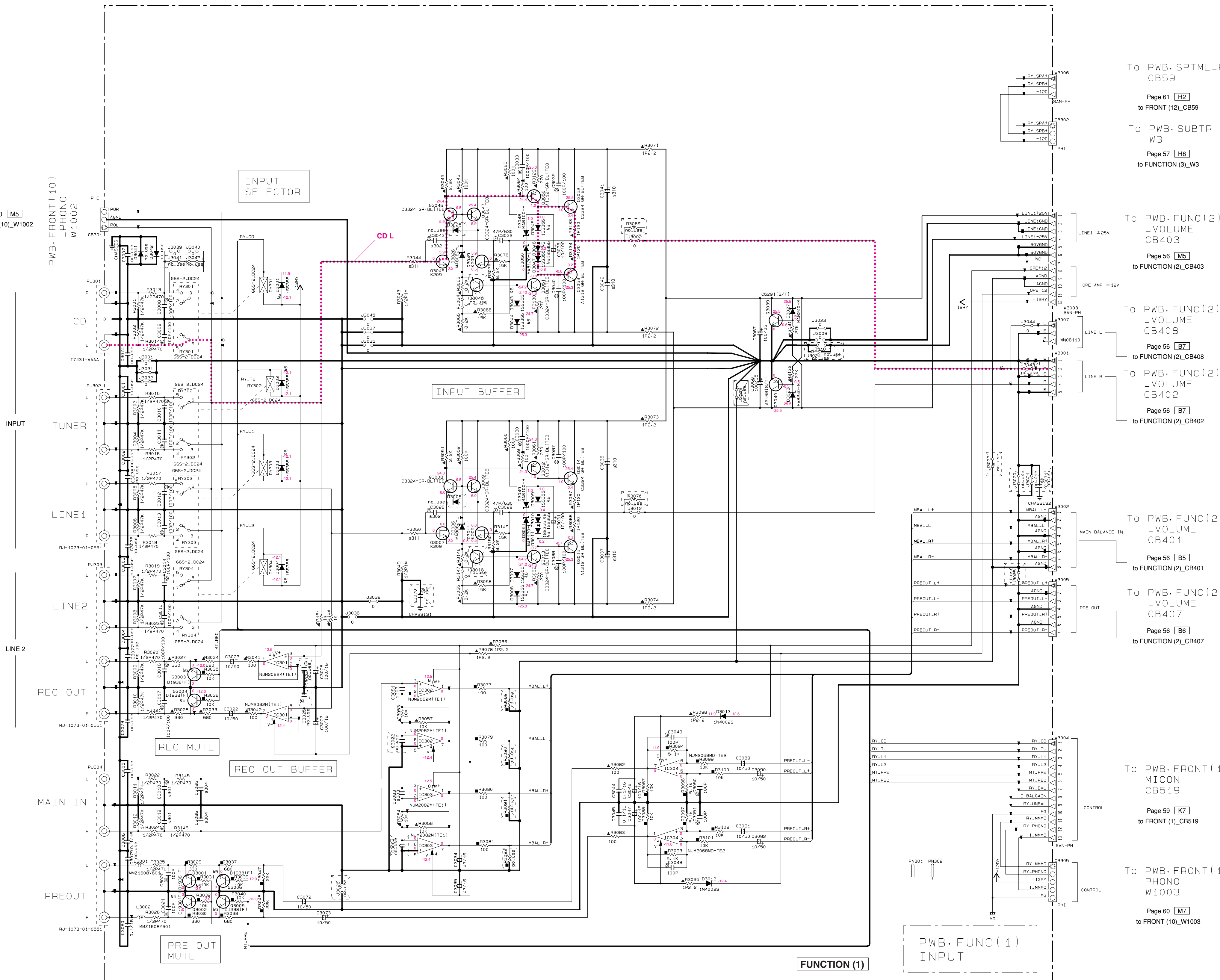
**FRONT** • See page 59-61 → SCHEMATIC DIAGRAM

**FUNCTION** • See page 55-57 → SCHEMATIC DIAGRAM

**MAIN** • See page 58 → SCHEMATIC DIAGRAM

**FUNCTION** • See page 55-57 → SCHEMATIC DIAGRAM

SCHEMATIC DIAGRAMS  
FUNCTION 1/3



RESISTOR

REMARKS	PARTS NAME
NO MARK	CARBON FILM RESISTOR (P=5)
□	CARBON FILM RESISTOR (P=10)
△	METAL OXIDE FILM RESISTOR
▲	METAL FILM RESISTOR
⊠	METAL PLATE RESISTOR
■	FIRE PROOF CARBON FILM RESISTOR
□	CEMENT MOLDED RESISTOR
⊙	SEMI VARIABLE RESISTOR
■	CHIP RESISTOR

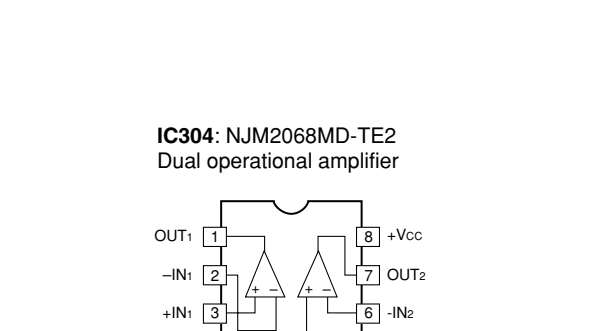
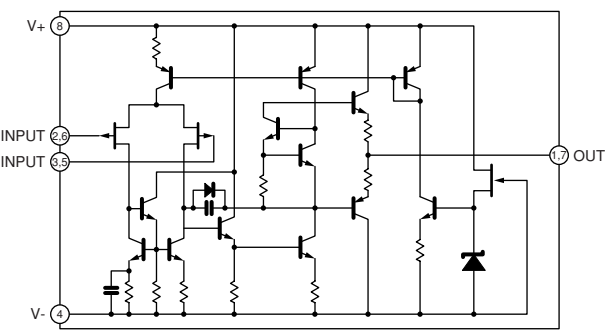
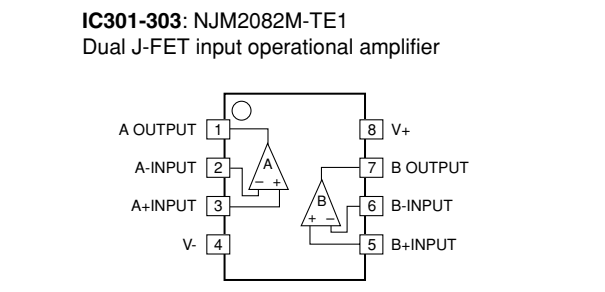
CAPACITOR

REMARKS	PARTS NAME
NO MARK	ELECTROLYTIC CAPACITOR
⊗	TANTALUM CAPACITOR
NO MARK	CERAMIC CAPACITOR
●	CERAMIC TUBULAR CAPACITOR
⊙	POLYESTER FILM CAPACITOR
⊖	POLYSTYRENE FILM CAPACITOR
⊕	MICA CAPACITOR
⊙	POLYPROPYLENE FILM CAPACITOR
●	SEMICONDUCTIVE CERAMIC CAPACITOR

Interchangeable Parts at Manufacture-Stage

Mark	Reference Parts Number	Parts Name
k1	02-4-7	25C2412K(O/R/S) 250060MR/ML (O/R/S) KTC39755-V-GR-Rtk/P
k2	01-144-147-4052-4053	DT1444KA KRC1045-Rtk/P
k3	0145-146	DT1444KA KRA1045-Rtk/P
k4	04002-4008	25A1037AK(O/R/S) KTA15045-V-GR-Rtk/P
k5	03001-3006	25D1938IF(S-T) 25C33261A(B) 25C55381A(B) 25D27041K1
k6	01-4-6-10-12-3001-3004 3007-3011-3043-3047 4009-4017-4021 4024-4026-4033-4034 4037-4038-4043-4044 4047-4048-4053-4056	IS5355 MA2J1100L 25C55381A(B) KDS160-Rtk/P

NOTICE (mode1)  
 (J) ..... JAPAN  
 (U) ..... U.S.A  
 (C) ..... CANADA  
 (R) ..... GENERAL  
 (T) ..... CHINA  
 (K) ..... KOREA  
 (A) ..... AUSTRALIA  
 (B) ..... BRITISH  
 (E) ..... EUROPE  
 (L) ..... SINGAPORE  
 (S) ..... SOUTH EUROPE  
 (V) ..... TAIWAN  
 (F) ..... RUSSIAN



\* All voltages are measured with a 10MΩ/V DC electronic voltmeter.  
 \* Components having special characteristics are marked with a triangle and must be replaced with parts having specifications equal to those originally installed.  
 \* Schematic diagram is subject to change without notice.  
 ● 電圧は、内部抵抗10MΩの電圧計で測定したものです。  
 ● 印のある部品は、安全性確保部品を示しています。部品の交換が必要な場合、パーツリストに記載されている部品を使用してください。  
 ● 本回路図は標準回路図です。改良のため予告なく変更することがございます。

1  
2  
3  
4  
5  
6  
7  
8  
9  
10

Page 60 [M5] to FRONT (10)\_W1002

To PWB\_SPTML\_R CB59  
Page 61 [H2] to FRONT (12)\_CB59

To PWB\_SUBTR W3  
Page 57 [H8] to FUNCTION (3)\_W3

To PWB\_FUNC (2) \_VOLUME CB403  
Page 56 [M5] to FUNCTION (2)\_CB403

To PWB\_FUNC (2) \_VOLUME CB408  
Page 56 [B7] to FUNCTION (2)\_CB408

To PWB\_FUNC (2) \_VOLUME CB402  
Page 56 [B7] to FUNCTION (2)\_CB402

To PWB\_FUNC (2) \_VOLUME CB401  
Page 56 [B5] to FUNCTION (2)\_CB401

To PWB\_FUNC (2) \_VOLUME CB407  
Page 56 [B6] to FUNCTION (2)\_CB407

To PWB\_FRONT (1) MICON CB519  
Page 59 [K7] to FRONT (1)\_CB519

To PWB\_FRONT (10) PHONO W1003  
Page 60 [M7] to FRONT (10)\_W1003

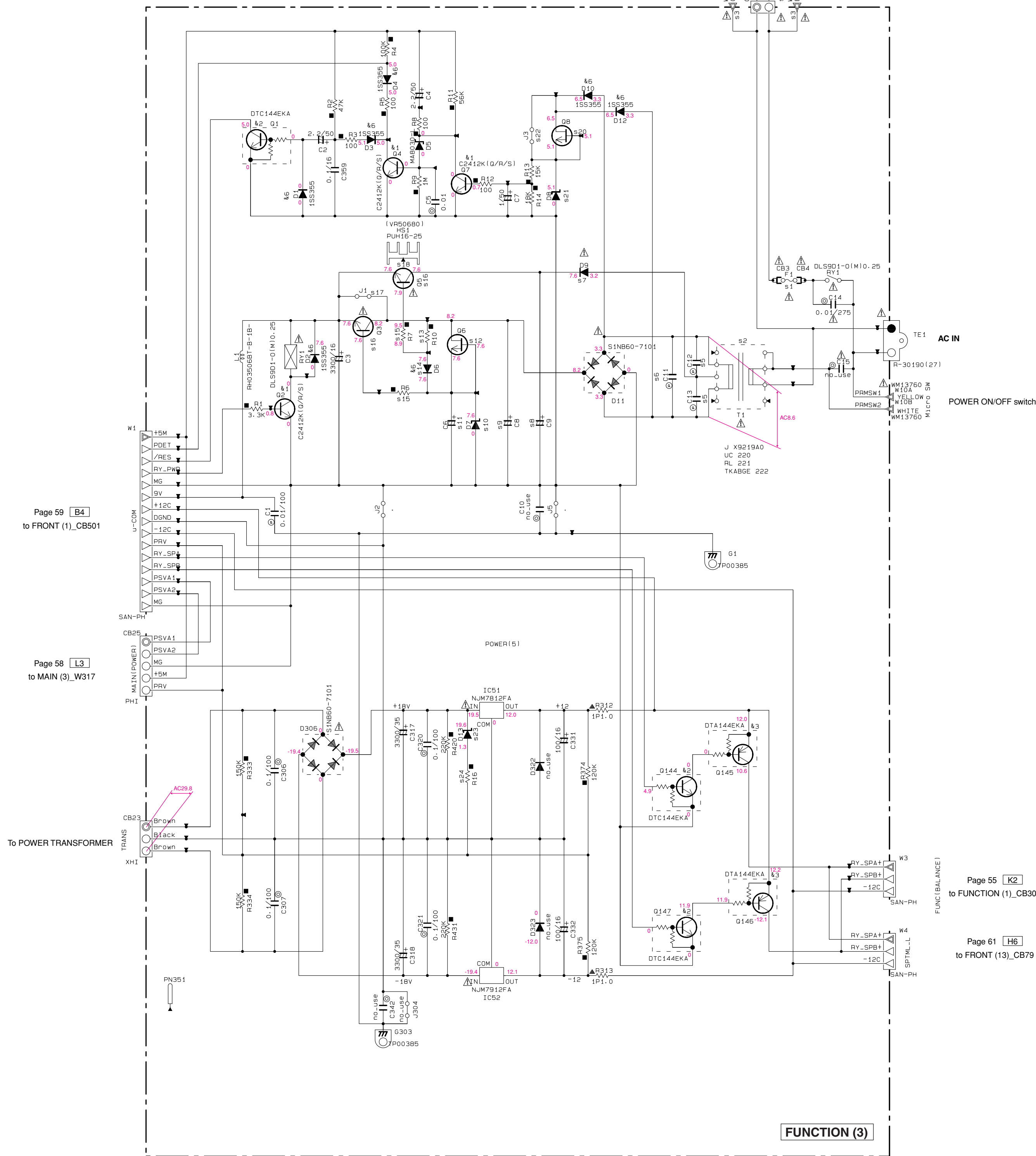
FUNCTION (1)

PWB\_FUNC (1) INPUT



FUNCTION 3/3

Page 61 [D9]  
to FRONT (14)\_W8A, W8B  
(R, L models)



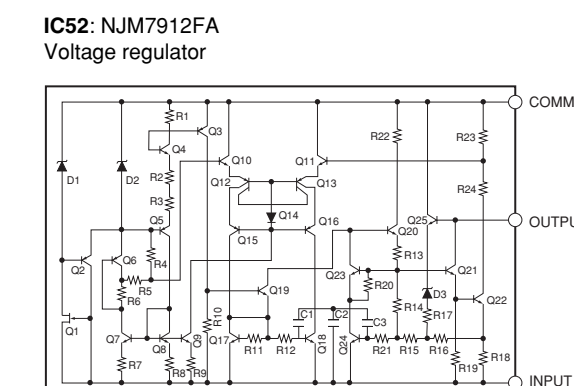
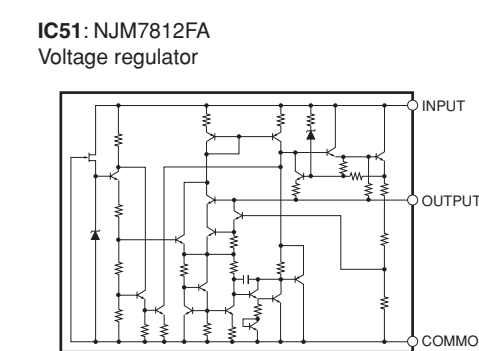
Destination Part List		J	UC	RL	TK	A	B	G
s1	F1	WG01080 T6. 3AL250V	WG01080 T6. 3AL250V	WG01080 T6. 3AL250V	K800176 T6. 3AL250V	K800176 T6. 3AL250V	K800176 T6. 3AL250V	K800176 T6. 3AL250V
s2	T1	X922190 X92219	X922040 X9220	X922180 X9221	X922240 X9222	X922240 X9222	X922240 X9222	X922240 X9222
s3	W11B W11A	WM13790	WM13790	X	WM13790	WM13790	WM13790	WM13790
s4	CB2	X	X	VG87990	X	X	X	X
s5	C12 C13	X	X	0.01/100	X	X	X	X
s6	C11	WN16530 0.01/100	WN16530 0.01/100	X	WN16530 0.01/100	WN16530 0.01/100	WN16530 0.01/100	WN16530 0.01/100
s7	D9	X	X	V899780 1T2A1	X	X	X	X
s8	C9	X	X	UR26710 10/70	X	X	X	X
s9	CB	X	X	UR29710 10/70	X	X	X	X
s10	D7	X	X	VU99490 MAB091-L	X	X	X	X
s11	C6	X	X	UR26710 10/70	X	X	X	X
s12	O6	X	X	VR04310 SK20B	X	X	X	X
s13	R10	X	X	RD35710 10K	X	X	X	X
s14	D6	X	X	VT33290 1S335	X	X	X	X
s15	R7-R6	X	X	RD35710 100	X	X	X	X
s16	Q5-Q3	X	X	VC93850 C3852	X	X	X	X
s17	J1	VN50000	VN50000	X	VN50000	VN50000	VN50000	VN50000
s18	HS1	X	X	VR06880 PLH15-25	X	X	X	X
s19	C3	UU23933 3300/16	UU23933 3300/16	UU23933 3300/16	UU23933 3300/16	UU23933 3300/16	UU23933 3300/16	UU23933 3300/16
s20	Q8	X	X	VR04310 SK20B	X	X	X	X
s21	D8	X	X	VU99340 MAB062-M	X	X	X	X
s22	J3	RD35000 0	RD35000 0	X	RD35000 0	RD35000 0	RD35000 0	RD35000 0
s23	D13	X	X	VU99990 MAB300-M	X	X	X	X
s24	R16	X	X	RD35647 4.7K	X	X	X	X
s301	C3018 C3019	UA65210 100P	UA65210 100P	UA65247 470P	UA65210 100P	UA65247 470P	UA65247 470P	UA65247 470P
s302	C3028 C3043	X	X	X	WA74710 100P/100	X	WA74710 100P/100	WA74710 100P/100
s303	C3081 C3083	X	X	X	US06210 100P(SL)	X	US06210 100P(SL)	US06210 100P(SL)
s304	C3085 C3086	X	X	X	US06247 470P(SL)	X	US06247 470P(SL)	US06247 470P(SL)
s310	C3036 C3037 C3041 C3042	UR05810 100/35	UR25747 47/35	UR25747 47/35	UR25747 47/35	UR25747 47/35	UR25747 47/35	UR25747 47/35
s311	R3044 R3050	V807090 1P100	HF35510 1/2P100	HF35510 1/2P100	HF35510 1/2P100	HF35510 1/2P100	HF35510 1/2P100	HF35510 1/2P100
s400	C4049 C4051 C4052 C4053 C4054	WM09800 4.7/16	WM09800 4.7/16	WM09800 4.7/16	WM09800 4.7/16	WM09800 4.7/16	WM09800 4.7/16	WM09800 4.7/16
s401	C4093 C4094 C4114 C4115 C4127 C4128 C4223 C4234	UR05810 100/35	UR25747 47/35	UR25747 47/35	UR25747 47/35	UR25747 47/35	UR25747 47/35	UR25747 47/35
s402	C4108 C4110	UU23710 1016	WM09800 4.7/16	WM09800 4.7/16	WM09800 4.7/16	WM09800 4.7/16	WM09800 4.7/16	WM09800 4.7/16
s403	IC404 IC405 IC406	YA0892A0 LME4973MA	X5482A0 NESS32DR	X5482A0 NESS32DR	X5482A0 NESS32DR	X5482A0 NESS32DR	X5482A0 NESS32DR	X5482A0 NESS32DR
s404	R4072 R4164	V807090 1P100	HF35510 1/2P100	HF35510 1/2P100	HF35510 1/2P100	HF35510 1/2P100	HF35510 1/2P100	HF35510 1/2P100

Page 59 [B4]  
to FRONT (1)\_CB501

Page 58 [L3]  
to MAIN (3)\_W317

Page 55 [K2]  
to FUNCTION (1)\_CB302

Page 61 [H6]  
to FRONT (13)\_CB79

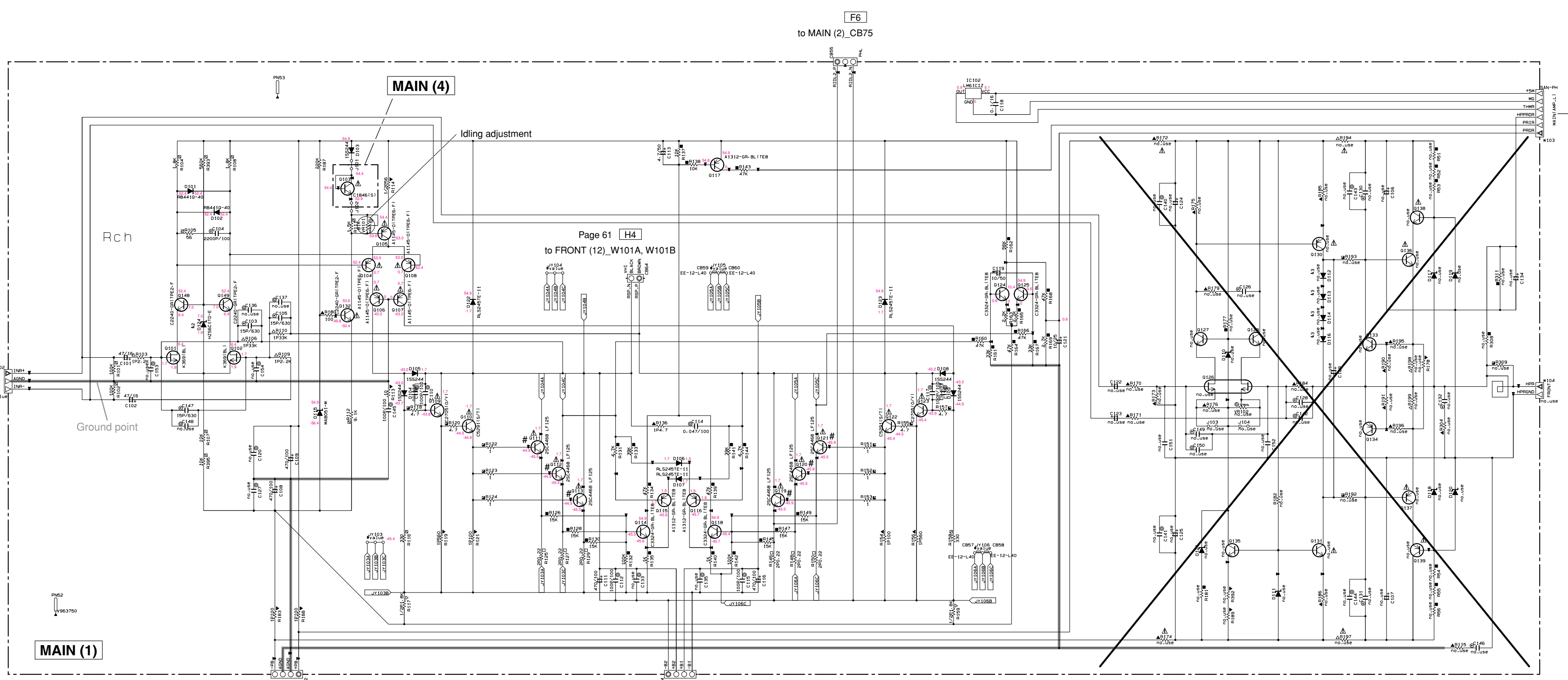


REMARKS	PARTS NAME	REMARKS	PARTS NAME
NO MARK	CARBON FILM RESISTOR [P=5]	NO MARK	ELECTROLYTIC CAPACITOR
⊠	CARBON FILM RESISTOR [P=10]	⊠	TANTALUM CAPACITOR
⊡	METAL OXIDE FILM RESISTOR	NO MARK	CERAMIC CAPACITOR
⊢	METAL FILM RESISTOR	⊙	CERAMIC TUBULAR CAPACITOR
⊣	METAL PLATE RESISTOR	⊚	POLYESTER FILM CAPACITOR
⊤	FIRE PROOF CARBON FILM RESISTOR	⊛	POLYSTYRENE FILM CAPACITOR
⊥	CEMENT MOLDED RESISTOR	⊜	MICA CAPACITOR
⊦	SEMI VARIABLE RESISTOR	⊝	POLYPROPYLENE FILM CAPACITOR
⊧	CHIP RESISTOR	⊞	SEMICONDUCTIVE CERAMIC CAPACITOR

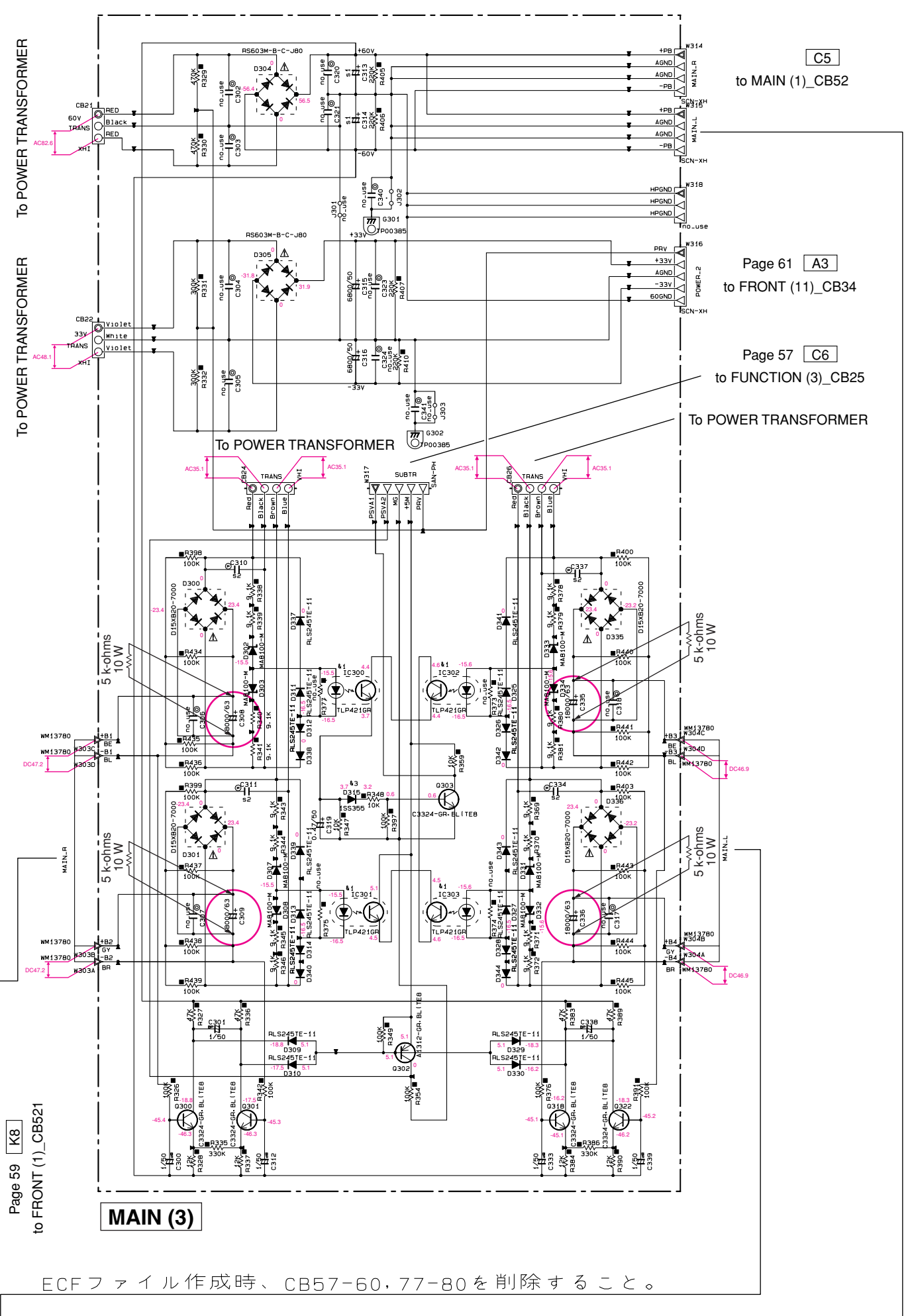
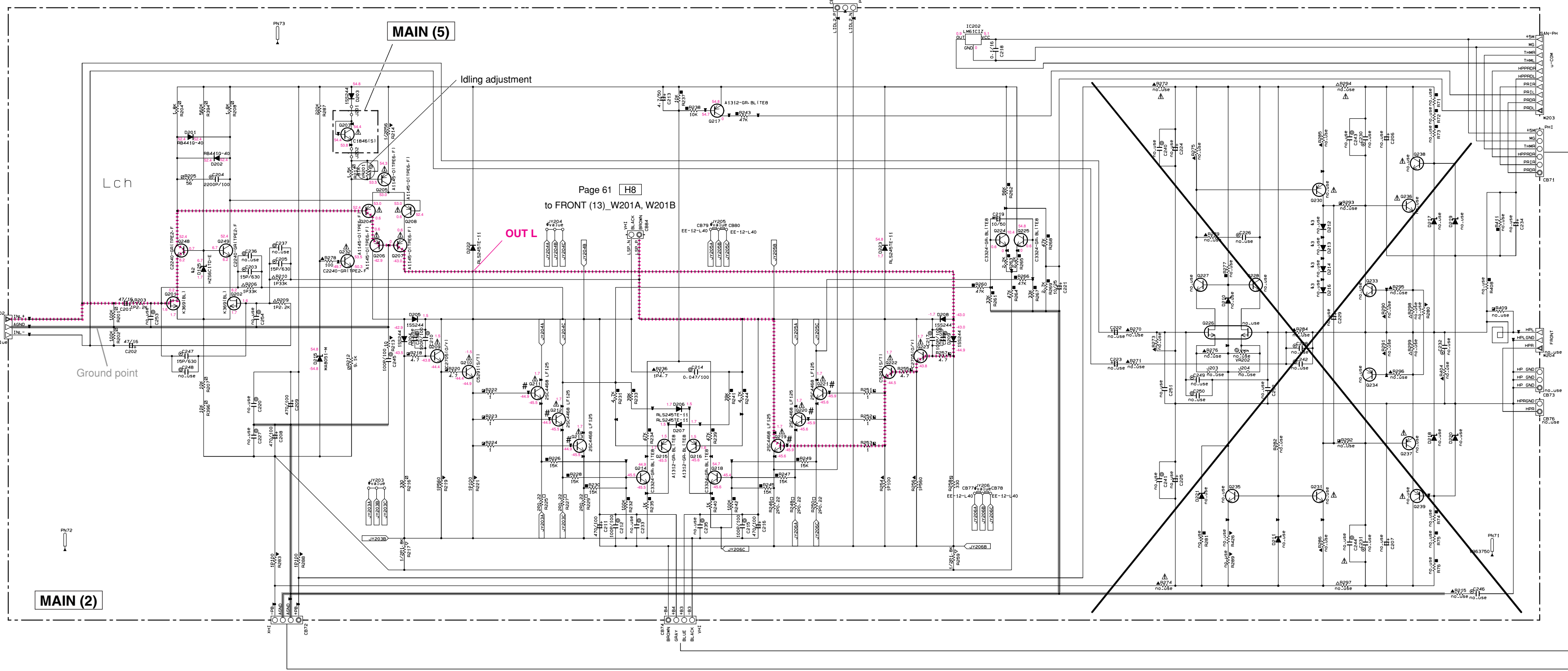
NOTICE (mode1)  
J ..... JAPAN  
U ..... U. S. A.  
C ..... CANADA  
R ..... GENERAL  
I ..... CHINA  
K ..... KOREA  
A ..... AUSTRALIA  
B ..... BRITISH  
G ..... EUROPE  
L ..... SINGAPORE  
E ..... SOUTH EUROPE  
V ..... TAIWAN  
F ..... RUSSIAN

★ All voltages are measured with a 10MΩ/V DC electronic voltmeter.  
★ Components having special characteristics are marked ⊠ and must be replaced with parts having specifications equal to those originally installed.  
★ Schematic diagram is subject to change without notice.  
● 電圧は、内部抵抗10MΩの電圧計で測定したものです。  
● ⊠印のある部品は、安全な確保部品を示しています。部品の交換が必要な場合、パーツリストに記載されている部品を使用してください。  
● 本回路図は標準回路図です。改良のため予告なく変更することがございます。

Page 56 [M2]  
to FUNCTION (2)\_CB405

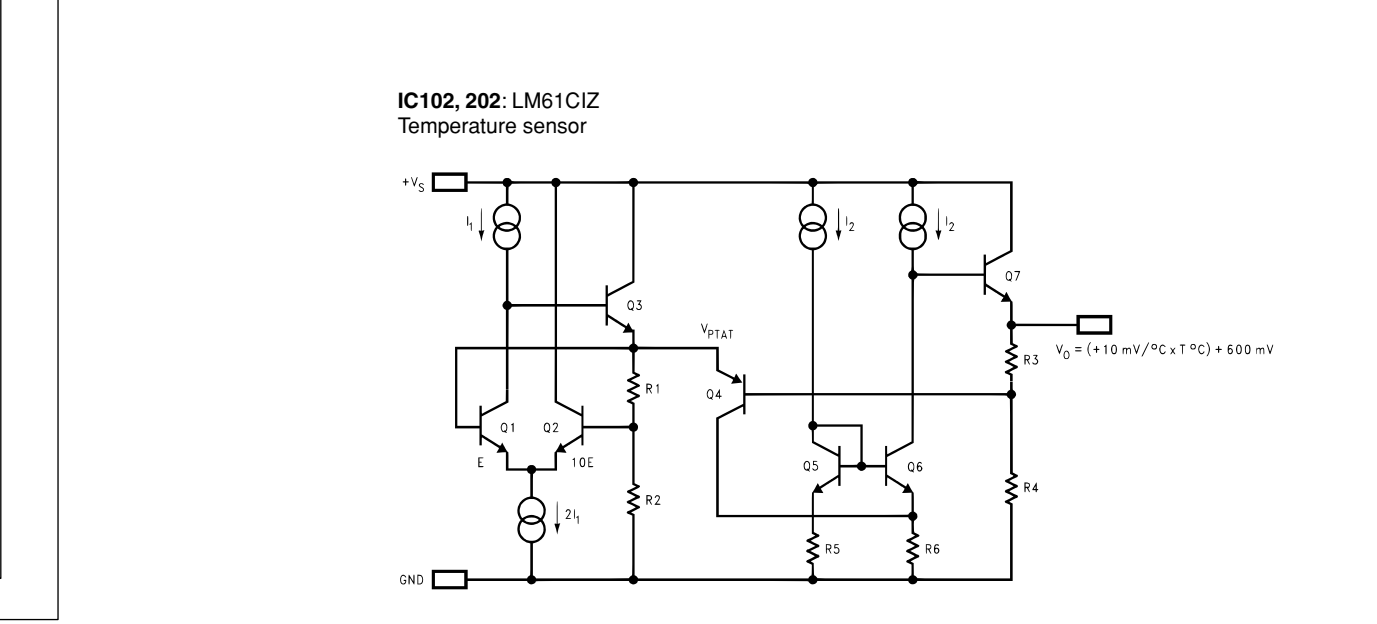


Page 56 [M4]  
to FUNCTION (2)\_CB406



Mark	Interchange Part Number	Part Name	REMARKS	REMARKS	REMARKS	REMARKS	REMARKS	REMARKS	REMARKS
M1	10300-303	1L42100	ALUMINUM ELECTROLYTIC CAPACITOR (P=10)	ALUMINUM ELECTROLYTIC CAPACITOR (P=10)	ALUMINUM ELECTROLYTIC CAPACITOR (P=10)	ALUMINUM ELECTROLYTIC CAPACITOR (P=10)	ALUMINUM ELECTROLYTIC CAPACITOR (P=10)	ALUMINUM ELECTROLYTIC CAPACITOR (P=10)	ALUMINUM ELECTROLYTIC CAPACITOR (P=10)
M2	0104-108	4296C10-E	METAL FILM RESISTOR (P=10)	METAL FILM RESISTOR (P=10)	METAL FILM RESISTOR (P=10)	METAL FILM RESISTOR (P=10)	METAL FILM RESISTOR (P=10)	METAL FILM RESISTOR (P=10)	METAL FILM RESISTOR (P=10)
M3	0316	44111100	METAL FILM RESISTOR (P=10)	METAL FILM RESISTOR (P=10)	METAL FILM RESISTOR (P=10)	METAL FILM RESISTOR (P=10)	METAL FILM RESISTOR (P=10)	METAL FILM RESISTOR (P=10)	METAL FILM RESISTOR (P=10)

Destination Part List	IC	IC	IC	IC	IC	IC	IC
M1	C314	W09933	W09933	W09933	W09933	W09933	W09933
M2	C310	W09933	W09933	W09933	W09933	W09933	W09933
M3	C311	W09933	W09933	W09933	W09933	W09933	W09933



Note) Those parts marked with “#” are not included in the P.C.B. ass’y.  
(マーク#の部品は、基板に含まれません。)

**Safety measures**

- Some internal parts in this product contain high voltages and are dangerous. Be sure to take safety measures during servicing, such as wearing insulating gloves.
  - Note that positions indicated below are dangerous even after the power is turned off because an electric charge remains and a high voltage continues to exist there.
  - Before starting any repair work, perform discharge by connecting a discharge resistor (5k-ohms/10W) between terminals at following positions. The time required for discharging is about 30 seconds.
- C308 on MAIN (3) P.C.B.
  - C309 on MAIN (3) P.C.B.
  - C335 on MAIN (3) P.C.B.
  - C336 on MAIN (3) P.C.B.

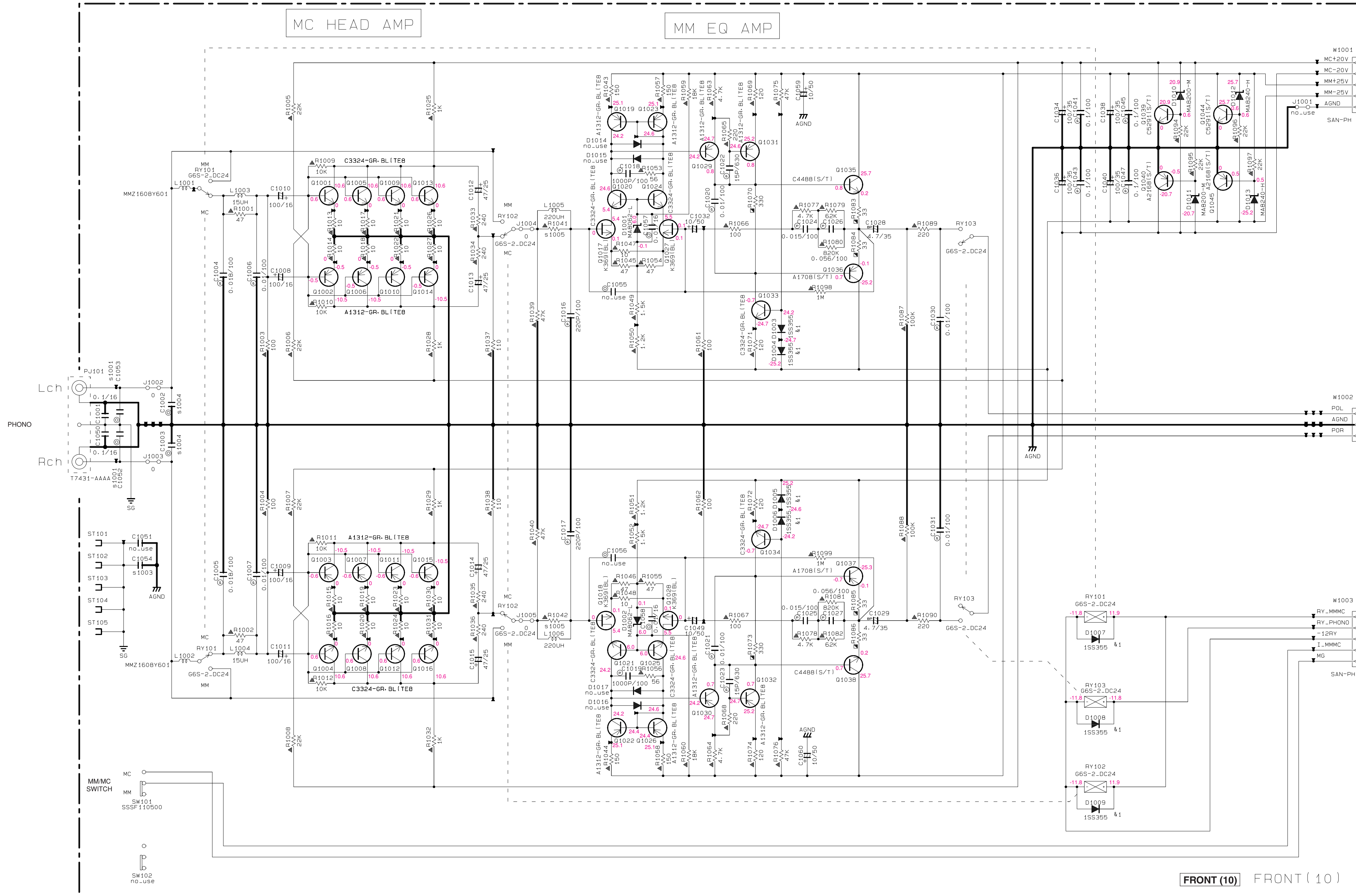
**安全対策**

- この製品の内部には高電圧部分があり危険です。修理の際は、絶縁性の手袋を使用などの安全対策を行ってください。
  - 下記箇所には電源をOFFにした後も電荷が残り、高電圧が維持されており危険です。
  - 修理作業前に放電用抵抗(5kΩ/10W)を下記箇所の端子間に接続して放電してください。放電時間は約30秒間です。
- MAIN (3) P.C.B.のC308
  - MAIN (3) P.C.B.のC309
  - MAIN (3) P.C.B.のC335
  - MAIN (3) P.C.B.のC336

\* All voltages are measured with a 10MΩ/V DC electronic voltmeter.  
\* Components having special characteristics are marked #, and must be replaced with parts having specifications equal to those originally installed.  
\* Schematic diagram is subject to change without notice.

● 電圧は、内部抵抗10MΩの電圧計で測定したものです。  
● #印のある部品は、安全性確保部品を示しています。部品の交換が必要な場合、パーツリストに記載されている部品を使用してください。  
● 本回路図は標準回路図です。改良のため予告なく変更することがございます。





Page 61 G3  
to FRONT (11)\_CB27

Page 55 B3  
to FUNCTION (1)\_CB301

Page 55 K9  
to FUNCTION (1)\_CB305

FRONT (10) FRONT (10)

RESISTOR

REMARKS	PARTS NAME
NO MARK	CARBON FILM RESISTOR (P=5)
□	CARBON FILM RESISTOR (P=10)
△	METAL OXIDE FILM RESISTOR
▲	METAL FILM RESISTOR
⊠	METAL PLATE RESISTOR
▣	FIRE PROOF CARBON FILM RESISTOR
■	CEMENT MOLDED RESISTOR
⊙	SEMI VARIABLE RESISTOR
■	CHIP RESISTOR

CAPACITOR

REMARKS	PARTS NAME
NO MARK	ELECTROLYTIC CAPACITOR
⊗	TANTALUM CAPACITOR
NO MARK	CERAMIC CAPACITOR
●	CERAMIC TUBULAR CAPACITOR
⊙	POLYESTER FILM CAPACITOR
○	POLYSTYRENE FILM CAPACITOR
⊖	MICA CAPACITOR
⊕	POLYPROPYLENE FILM CAPACITOR
⊗	SEMICONDUCTIVE CERAMIC CAPACITOR
⊙	POLYPHENYLENE SULFIDE FILM CAPACITOR

NOTICE (model)

(J)..... JAPAN  
 (U)..... U. S. A  
 (C)..... CANADA  
 (R)..... GENERAL  
 (T)..... CHINA  
 (K)..... KOREA  
 (A)..... AUSTRALIA  
 (B)..... BRITISH  
 (G)..... EUROPE  
 (L)..... SINGAPORE  
 (E)..... SOUTH EUROPE  
 (V)..... TAIWAN  
 (F)..... RUSSIAN

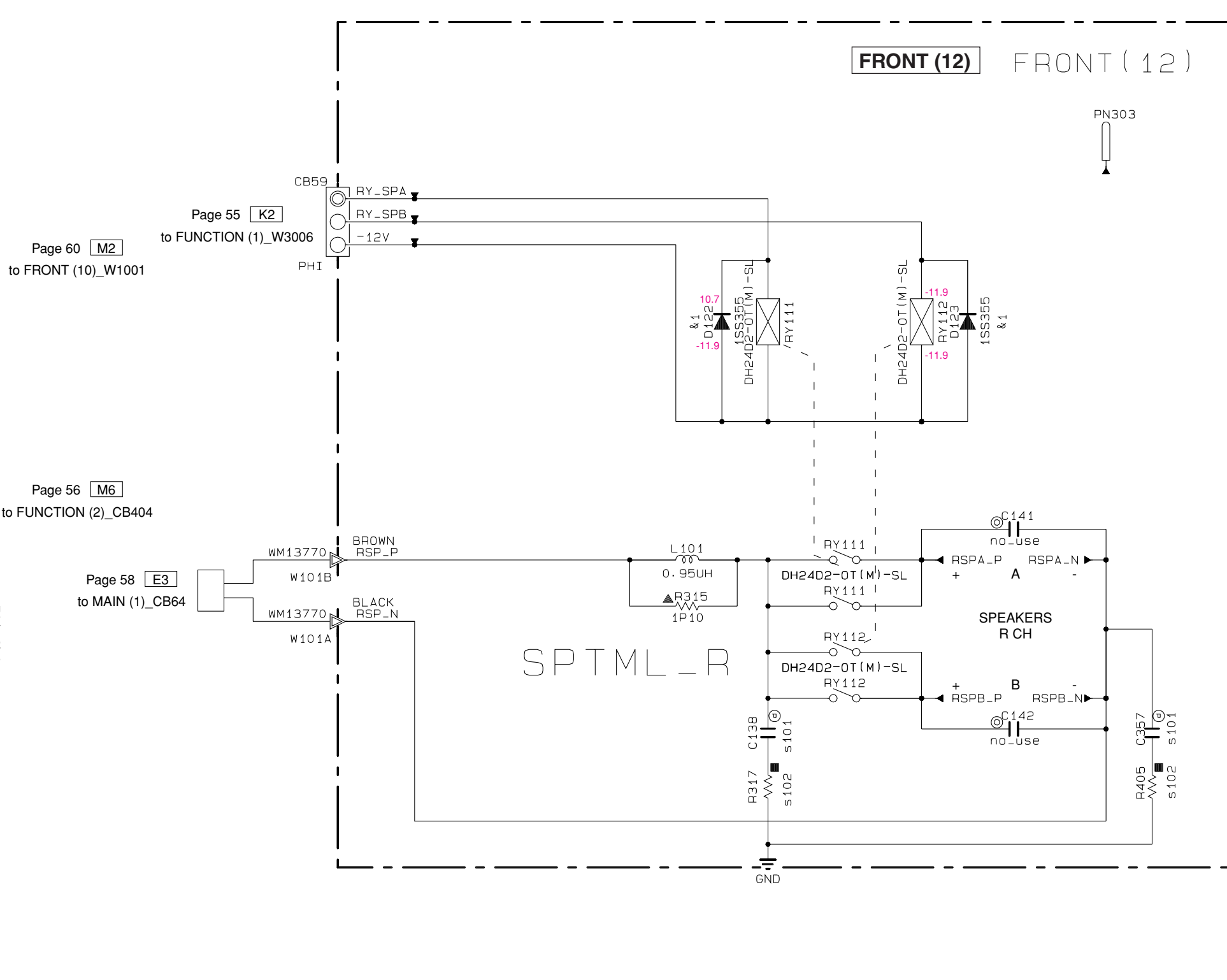
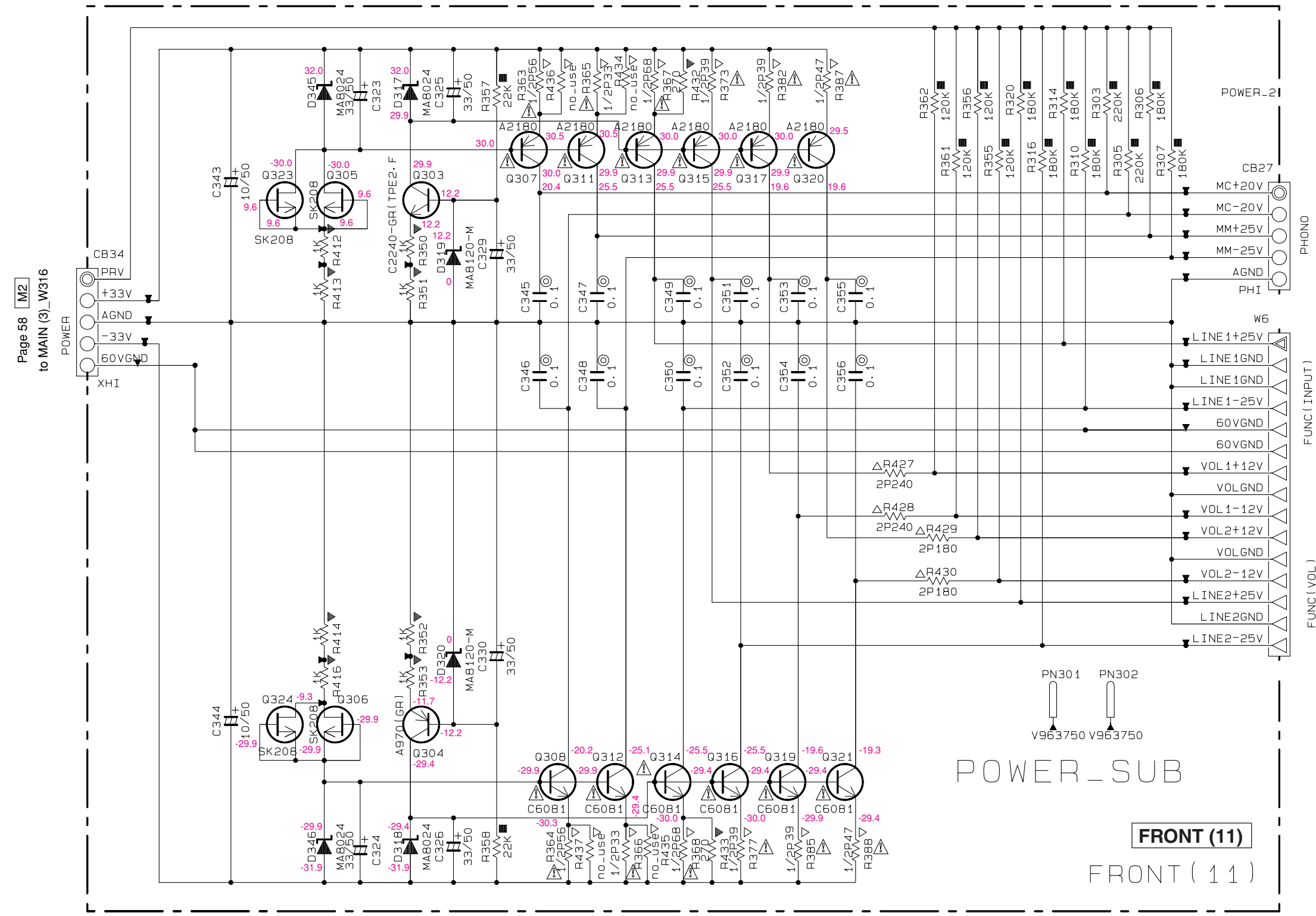
Interchangeable Parts at Manufacture-Stage

Mark	Reference Parts Number	Parts Name
&1	D1003-1009	1SS355 MA2J110GL KDS160-RTK/P

★ All voltages are measured with a 10MΩ/V DC electronic voltmeter.  
 ★ Components having special characteristics are marked with a triangle and must be replaced with parts having specifications equal to those originally installed.  
 ★ Schematic diagram is subject to change without notice.

● 電圧は、内部抵抗10MΩの電圧計で測定したものです。  
 ● !印のある部品は、安全性確保部品を示しています。部品の交換が必要な場合、パーツリストに記載されている部品を使用してください。  
 ● 本回路図は標準回路図です。改良のため予告なく変更することがございます。

FRONT 3/3



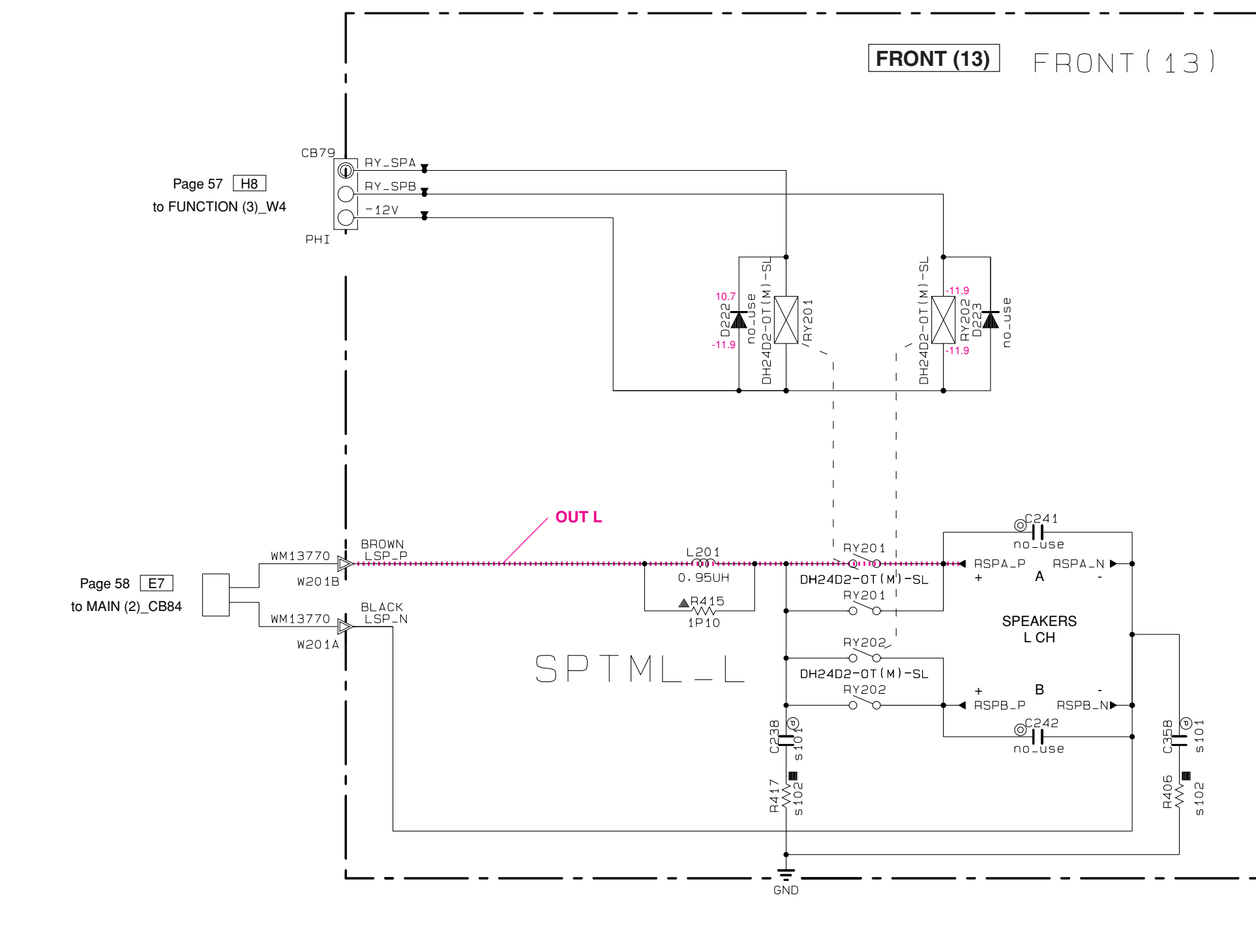
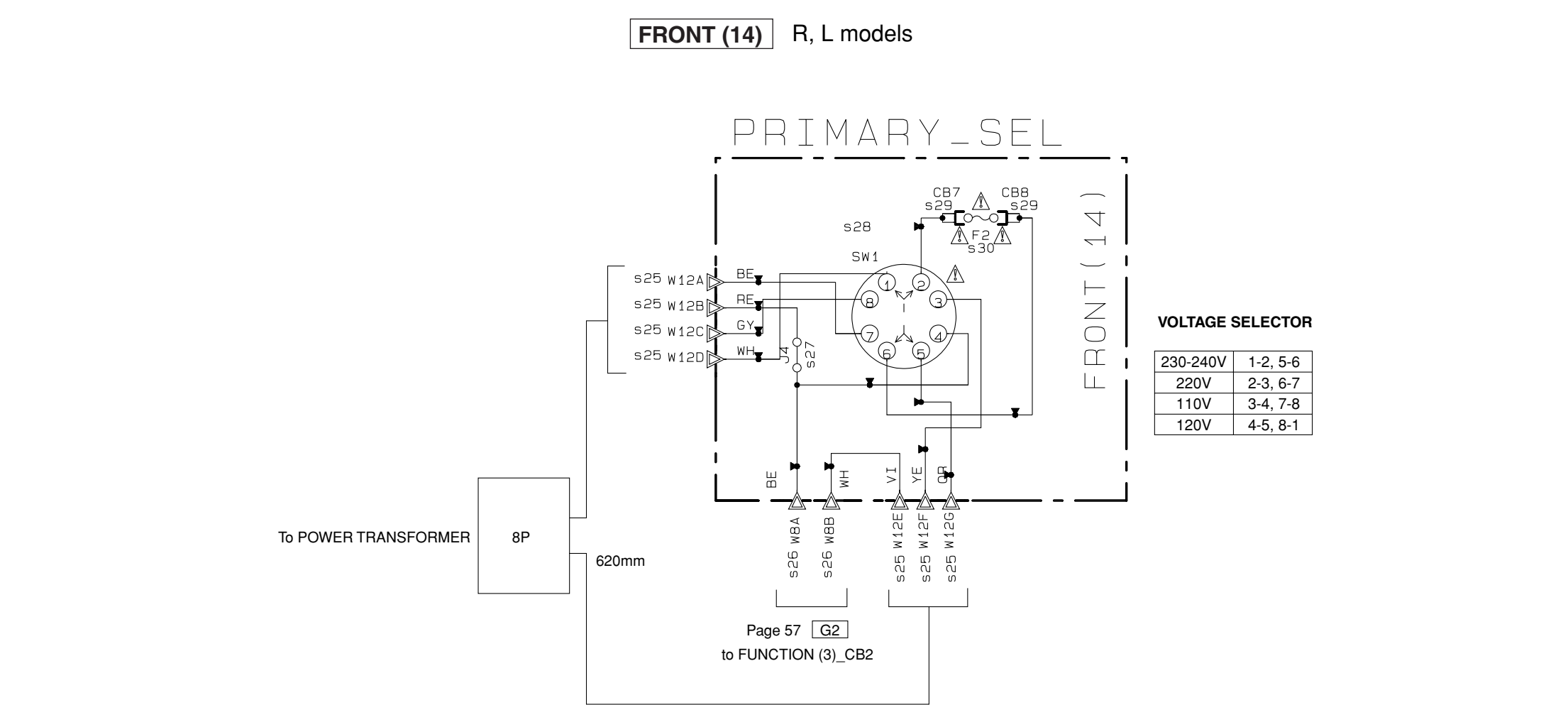
NOTICE (mode1)  
 (J)..... JAPAN  
 (U)..... U.S.A  
 (C)..... CANADA  
 (R)..... GENERAL  
 (T)..... CHINA  
 (K)..... KOREA  
 (A)..... AUSTRALIA  
 (B)..... BRITISH  
 (G)..... EUROPE  
 (L)..... SINGAPORE  
 (E)..... SOUTH EUROPE  
 (V)..... TAIWAN  
 (F)..... RUSSIAN

REMARKS	PARTS_NAME
NO MARK	CARBON FILM RESISTOR (P=5)
☑	CARBON FILM RESISTOR (P=10)
△	METAL OXIDE FILM RESISTOR
▲	METAL FILM RESISTOR
⊠	METAL PLATE RESISTOR
⊞	FIRE PROOF CARBON FILM RESISTOR
⊞	CEMENT MOLDED RESISTOR
⊞	SEMI VARIABLE RESISTOR
■	CHIP RESISTOR

REMARKS	PARTS_NAME
NO MARK	ELECTROLYTIC CAPACITOR
⊗	TANTALUM CAPACITOR
NO MARK	CERAMIC CAPACITOR
●	CERAMIC TUBULAR CAPACITOR
⊙	POLYESTER FILM CAPACITOR
○	POLYSTYRENE FILM CAPACITOR
①	MICA CAPACITOR
⊕	POLYPROPYLENE FILM CAPACITOR
⊕	SEMICONDUCTIVE CERAMIC CAPACITOR
⊕	POLYPHENYLENE SULFIDE FILM CAPACITOR

Interchangeable Parts at Manufacture-Stage

Mark	Reference Parts Number	Parts Name
⊠	D122-123	1S3355 MA2J1110GL KDS160-RTK/P



★ All voltages are measured with a 10MΩ/V DC electronic voltmeter.  
 ★ Components having special characteristics are marked ⊠ and must be replaced with parts having specifications equal to those originally installed.  
 ★ Schematic diagram is subject to change without notice.  
 ● 電圧は、内部抵抗10MΩの電圧計で測定したものです。  
 ● ⊠印のある部品は、安全性確保部品を示しています。部品の交換が必要な場合、パーツリストに記載されている部品を使用してください。  
 ● 本回路図は標準回路図です。改良のため予告なく変更することがございます。